

- STATIC COOLING MIXERS
- EXTRUSION TOOLS
- RAPID DIE CHANGER
- TOOL DEVELOPMENT
- PROCESS ENGINEERING
- FOAM EXTRUSION

INNOVATIVE STATIC COOLING MIXERS IN EXTRUSION

In the extrusion of plastics, the thermal and material homogeneity of the melt is of crucial importance.

The latest generation of INEXCO cooling mixers support these aspects in the long term.

The sectional view illustrates the unique, patented structure, which enables an optimum mixing and cooling effect of the melt and guarantees a very short residence time.

Even with complex mixing and cooling tasks, the optimised renewal of the boundary layers prevents solidified material from depositing on the heat exchange surfaces and prevents heat exchange surfaces and product decomposition.

This opens up completely new perspectives in terms of maximum throughput and the quality of the extruded product.

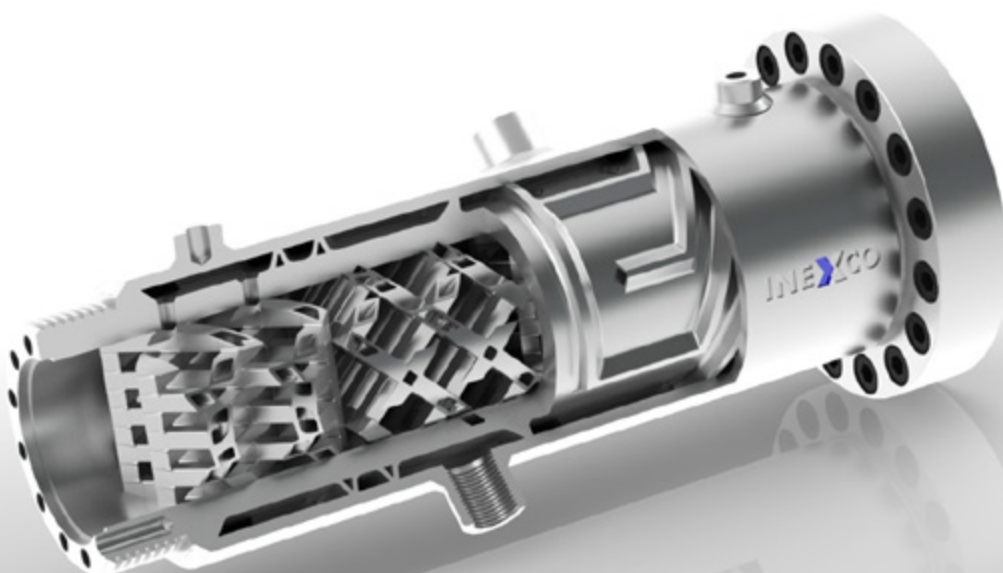
INEXCO cooling mixers are available in various standard sizes, from small pilot applications to large production-lines

For special customised designs, they are also available for operating pressures of up to 500 bar in high-strength materials.

INEXCO cooling mixer technology is generally suitable for mixing, cooling or heating any free-flowing media with a high viscosity.



CONTACT US - WE
WILL BE HAPPY TO
ADVISE YOU.



INEXCO Europe GmbH
Lascheterfeld 23
B-4700 Eupen
+32 (0)496 45 60 53

Dennewartstraße 25
D-52068 Aachen
+49 (0)241 92 78 405-0

info@inexco.tech
www.inexco.tech